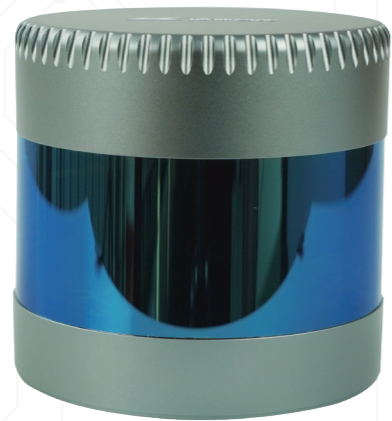


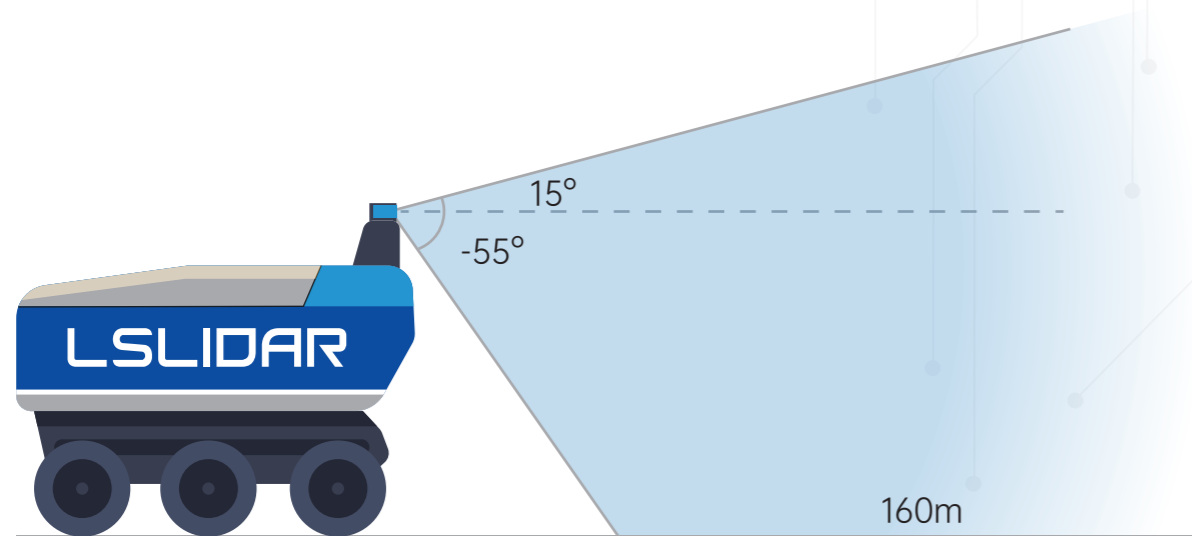


Multi-line Mechanical LiDAR

C32W



C32/16 lines mechanical LiDAR realizes 360° three-dimensional fast scanning with dense 32/16 beam laser, the detection range is up to 150m, and the measurement accuracy is accurate to ±3cm. It is widely used in autonomous driving, automotive ADAS, intelligent transportation, service robot, logistics, mapping, security, port, industry and other fields.



C32W

Laser	Wavelength	905nm
	Laser Class	Class I (IEC-60825)
SPEC	Channels	32
	Detection Method	TOF
	Detection Range	160m
	Range Accuracy	±3cm
FOV	Horizontal	360°
	Vertical	70°(-55°~15°)
Angular Resolution	Horizontal	5Hz:0.09°/ 10Hz:0.18°/ 20Hz:0.36°
	Vertical	Min 1.33°
	FPS	5Hz / 10Hz / 20Hz
Export	Data Point Generating Rate (pts/sec)	300,000
	Communication Interface	Industrial Ethernet
Electric	Input Voltage	9V~36V DC
	IP Grade	IP67
Environment	Operating Temperature	-40°C~60°C
	Vibration Test	5Hz-2000Hz, 3G rms
	Shock Test	500m/sec ² , lasting for 11ms
	Weight	≤1500g
Machine	Dimensions (LxWxH)	Φ102x105 mm

+86 755-2324-2821 MARKET@LSLIDAR.COM

twitter YouTube Meta LinkedIn LSLIDAR

FOLLOW LSLIDAR'S OFFICIAL ACCOUNTS TO KNOW MORE